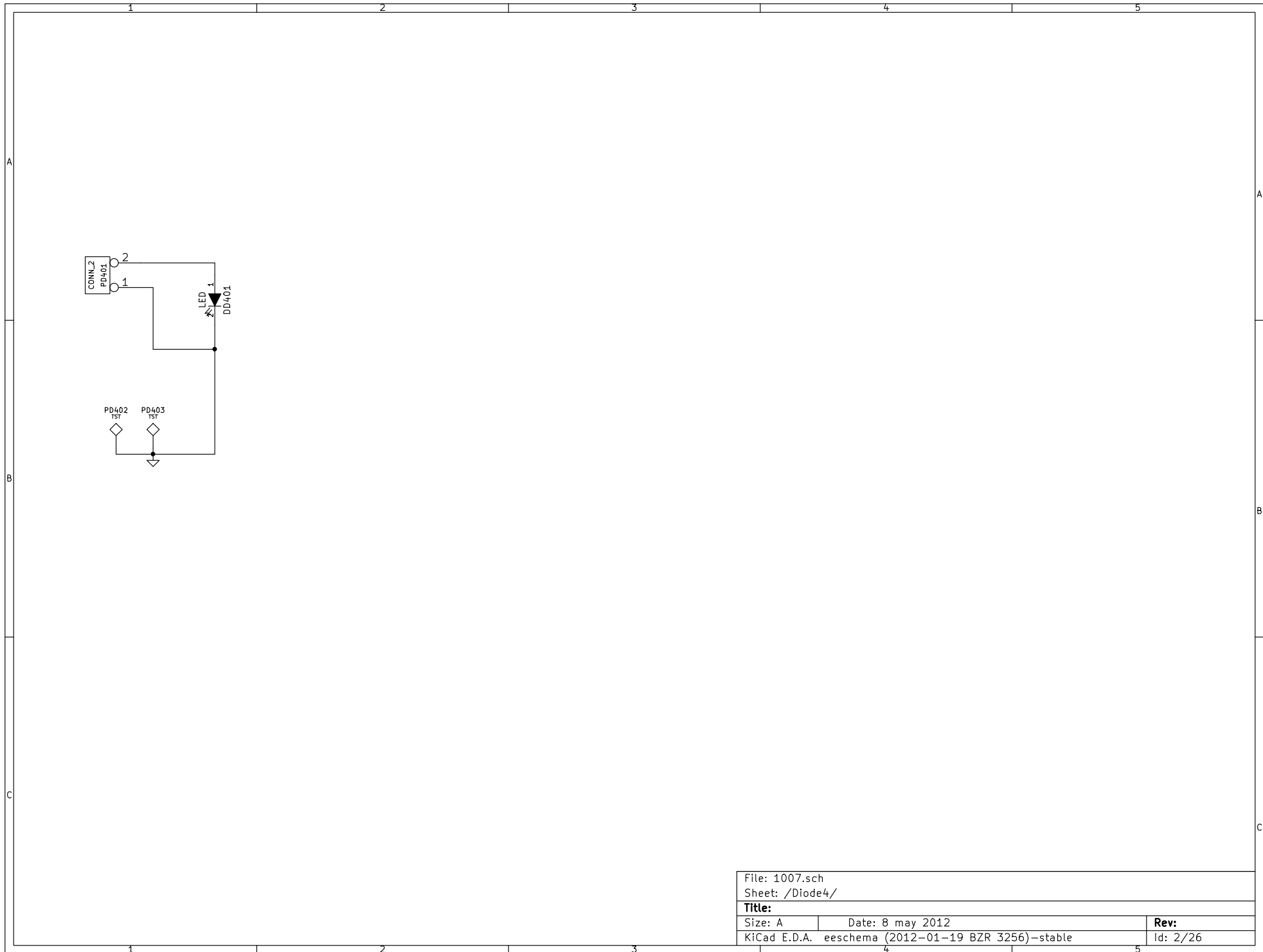
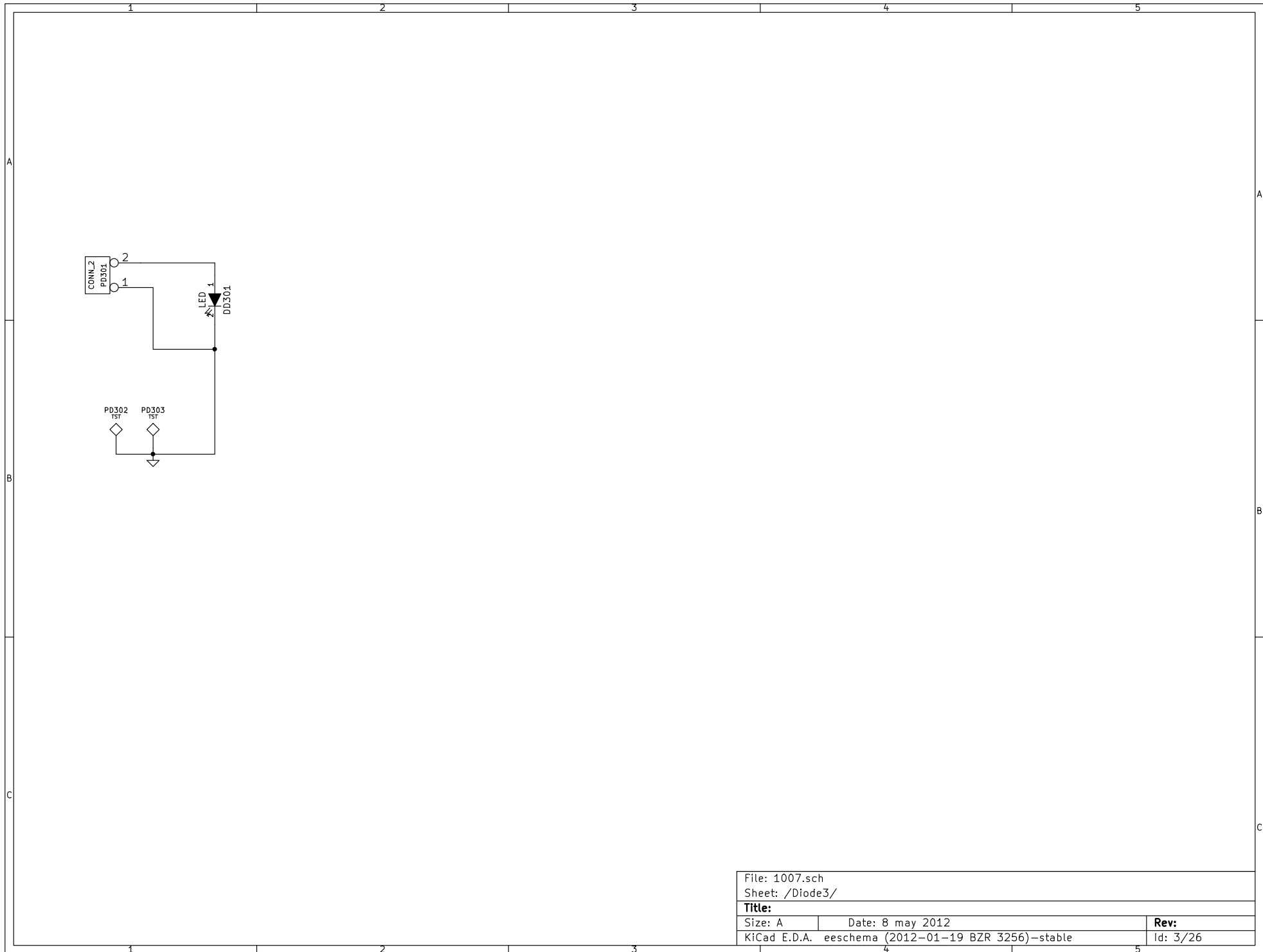


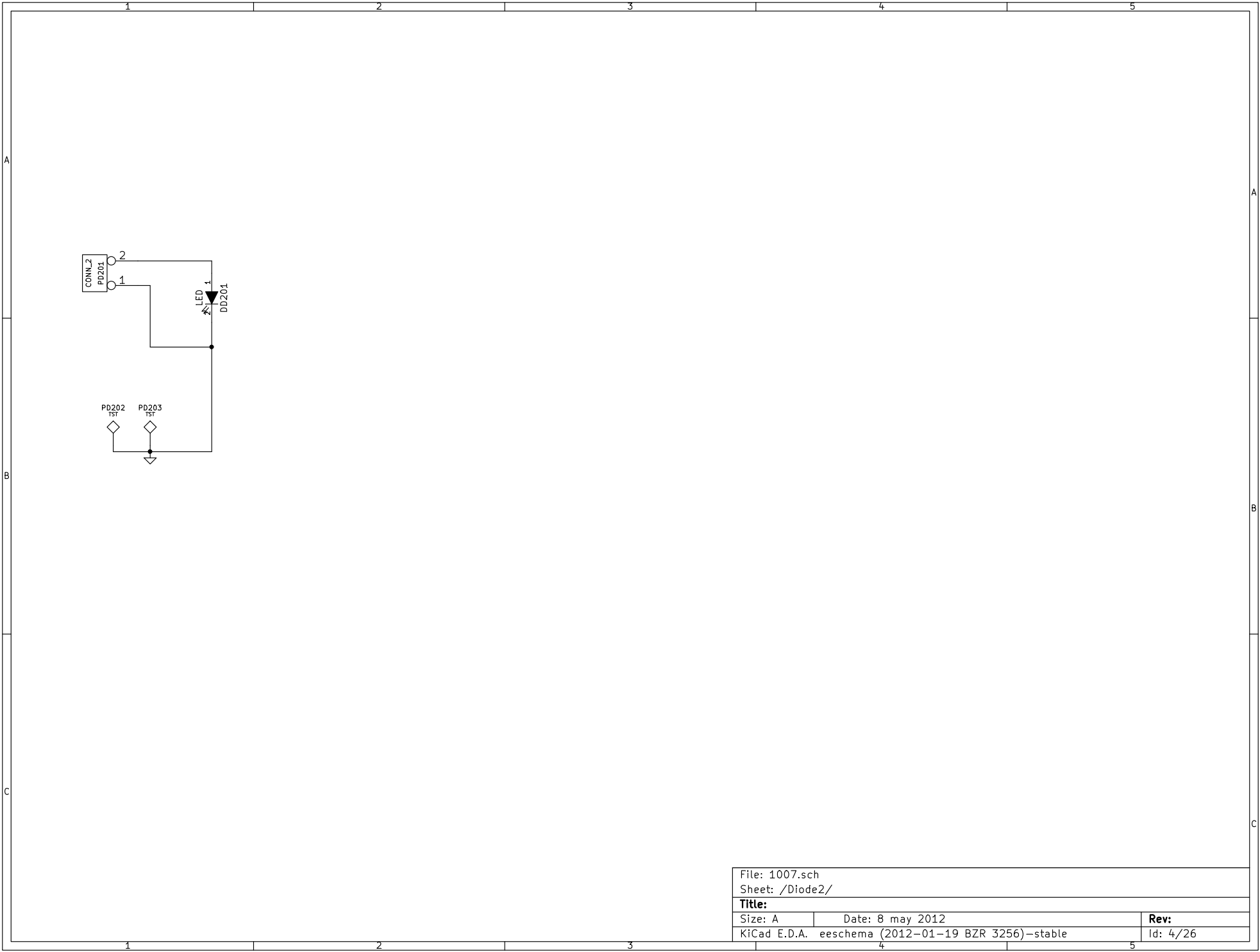
Hugh Spahr		
File: 1000.sch		
Sheet: /		
Title: System		
Size: A	Date: 8 may 2012	Rev: A
KiCad E.D.A. eeschema (2012-01-19 BZR 3256)-stable		Id: 1/26



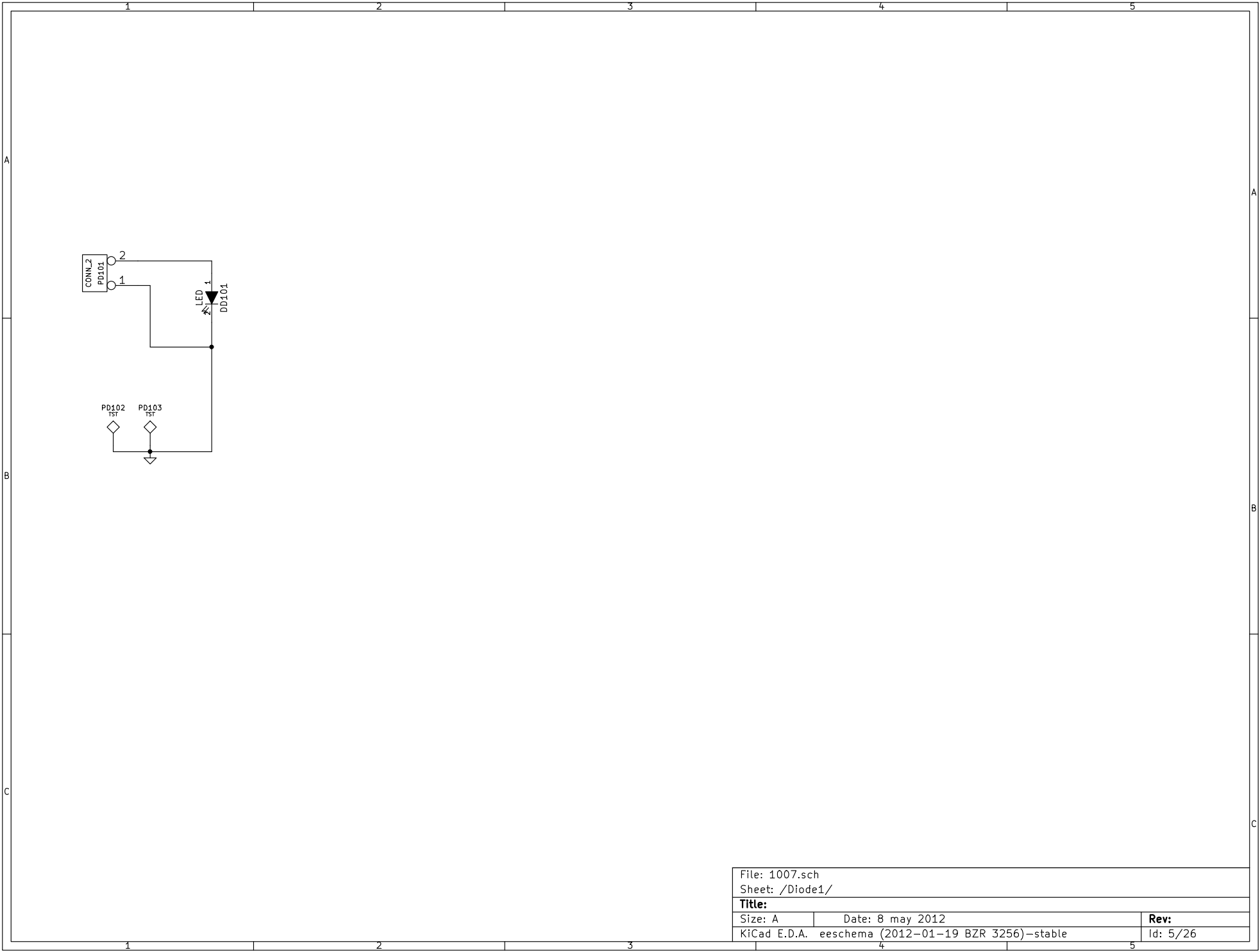
File: 1007.sch	
Sheet: /Diode4/	
Title:	
Size: A	Date: 8 may 2012
KiCad E.D.A. eeschema (2012-01-19 BZR 3256)-stable	Rev: Id: 2/26



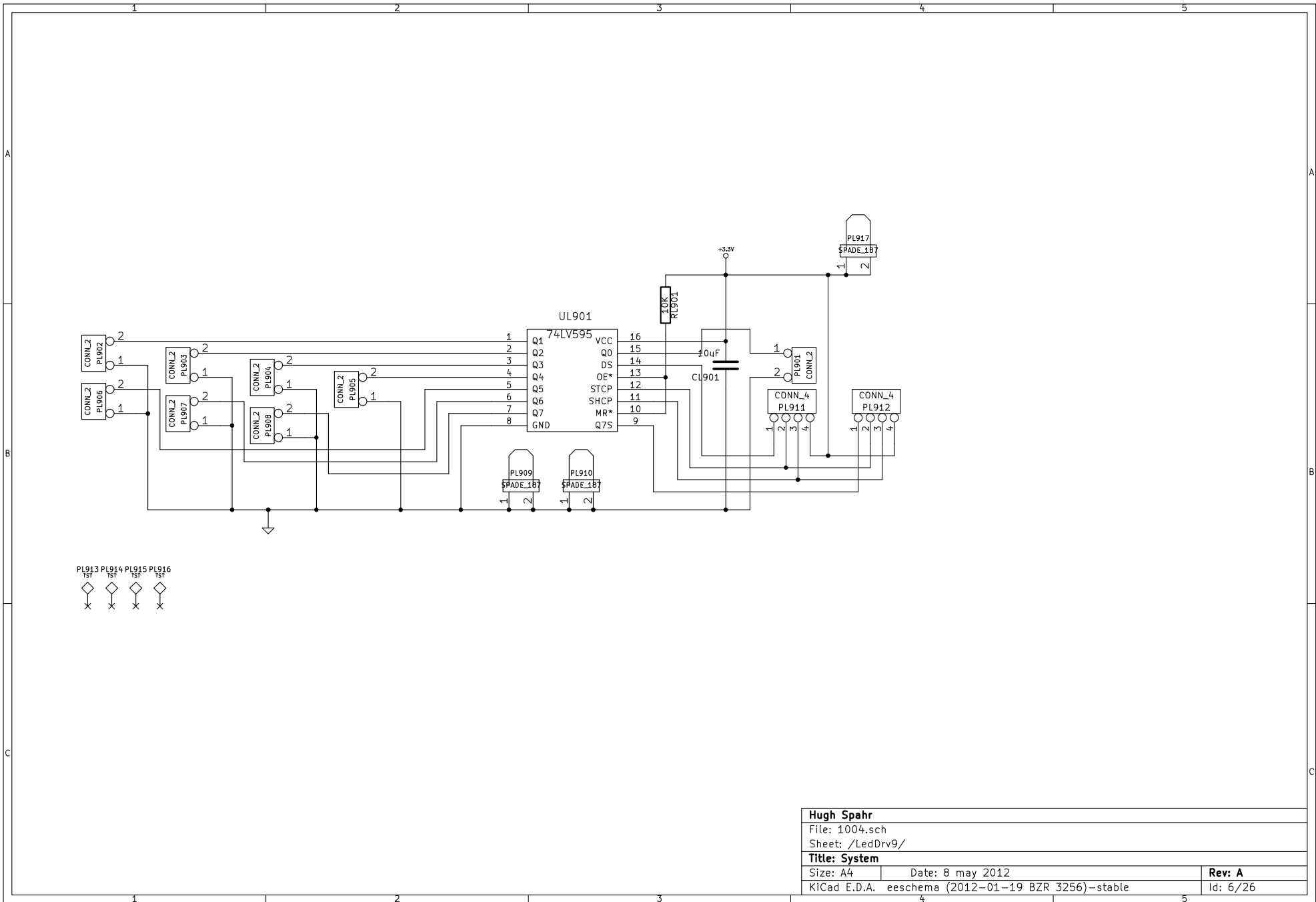
File: 1007.sch	
Sheet: /Diode3/	
Title:	
Size: A	Date: 8 may 2012
KiCad E.D.A. eeschema (2012-01-19 BZR 3256)-stable	Rev: 3/26



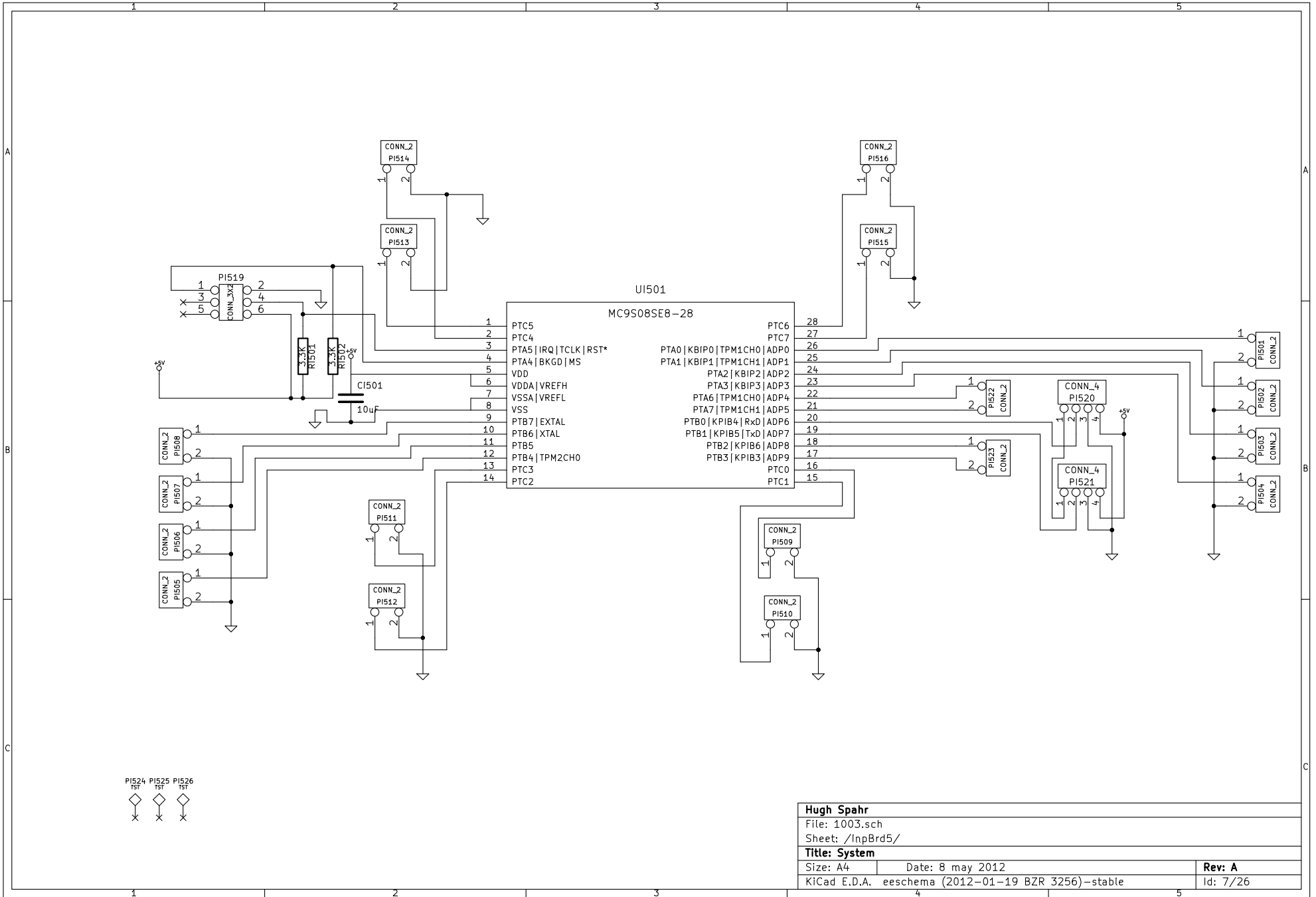
File: 1007.sch	
Sheet: /Diode2/	
Title:	
Size: A	Date: 8 may 2012
KiCad E.D.A. eeschema (2012-01-19 BZR 3256)-stable	Rev: Id: 4/26



File: 1007.sch	
Sheet: /Diode1/	
Title:	
Size: A	Date: 8 may 2012
KiCad E.D.A. eeschema (2012-01-19 BZR 3256)-stable	Rev: 5/26

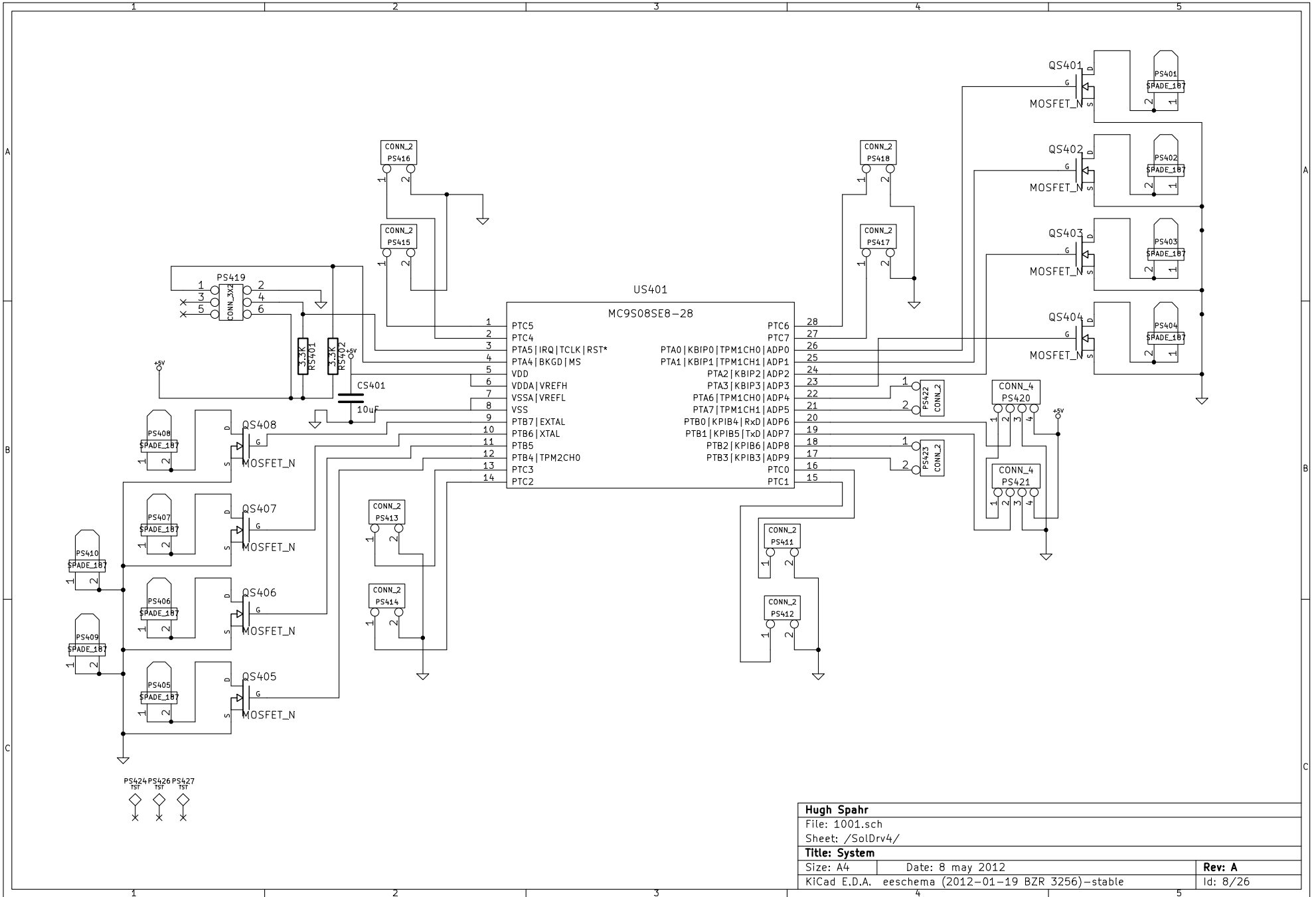


Hugh Spahr		
File: 1004.sch		
Sheet: /LedDrv9/		
Title: System		
Size: A4	Date: 8 may 2012	Rev: A
KiCad E.D.A. eeschema (2012-01-19 BZR 3256)-stable		Id: 6/26

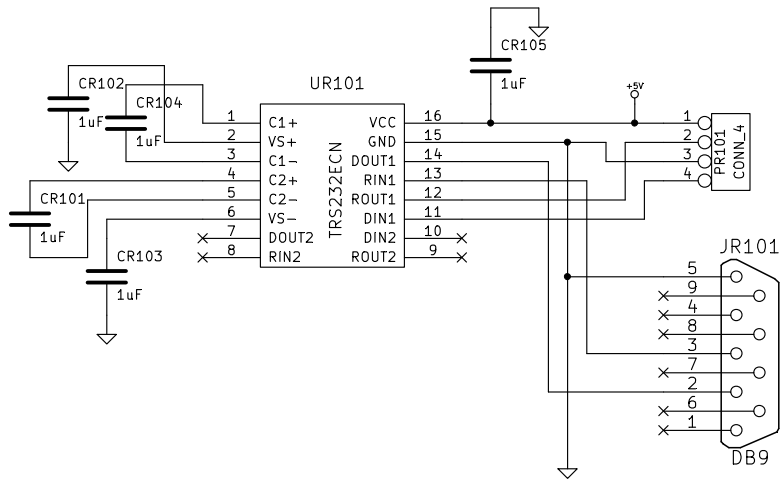


PI524 TST X
 PI525 TST X
 PI526 TST X

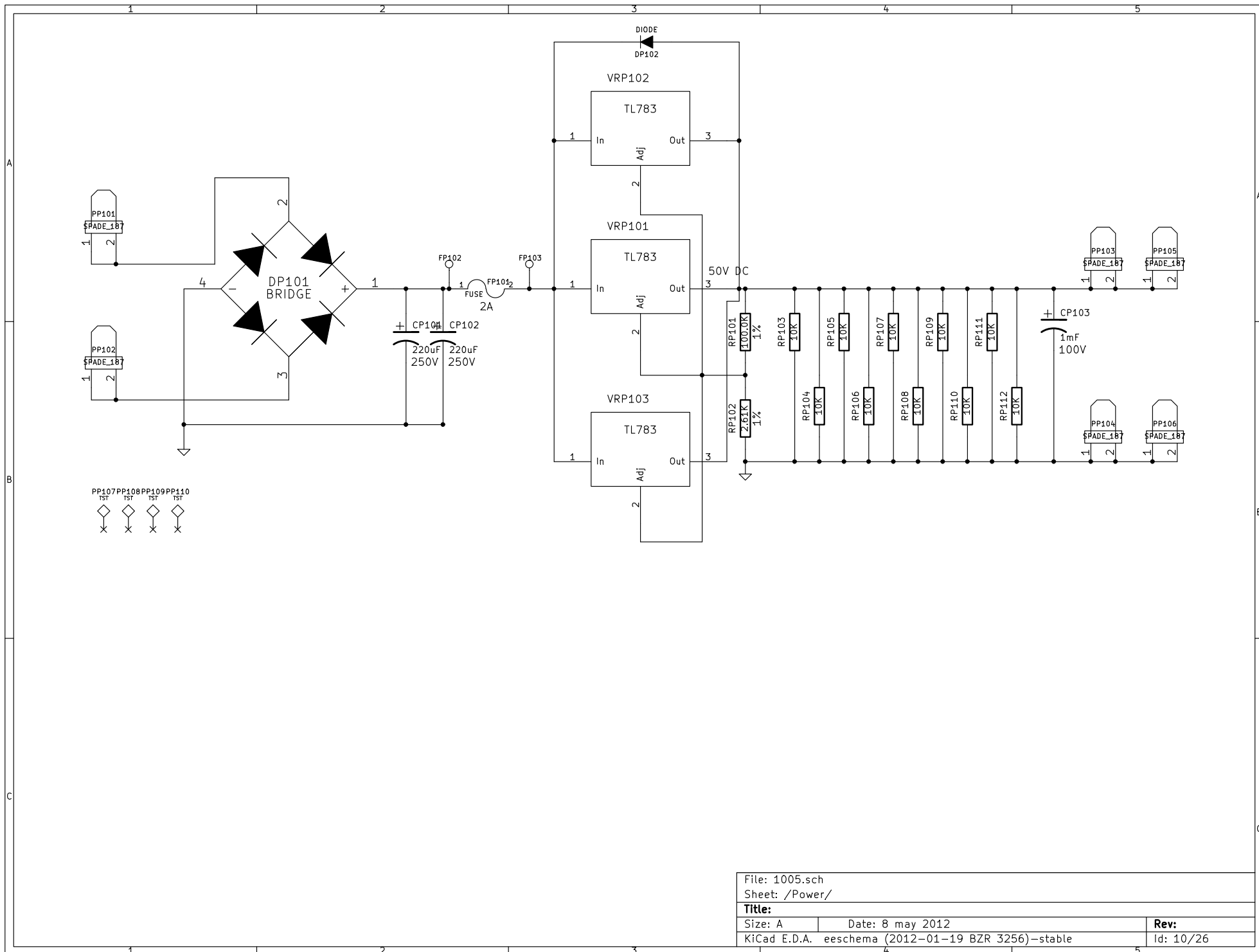
Hugh Spahr	
File: 1003.sch	
Sheet: /InpBrd5/	
Title: System	
Size: A4	Date: 8 may 2012
KiCad E.D.A. eeschema (2012-01-19 BZR 3256)-stable	Rev: A
	Id: 7/26



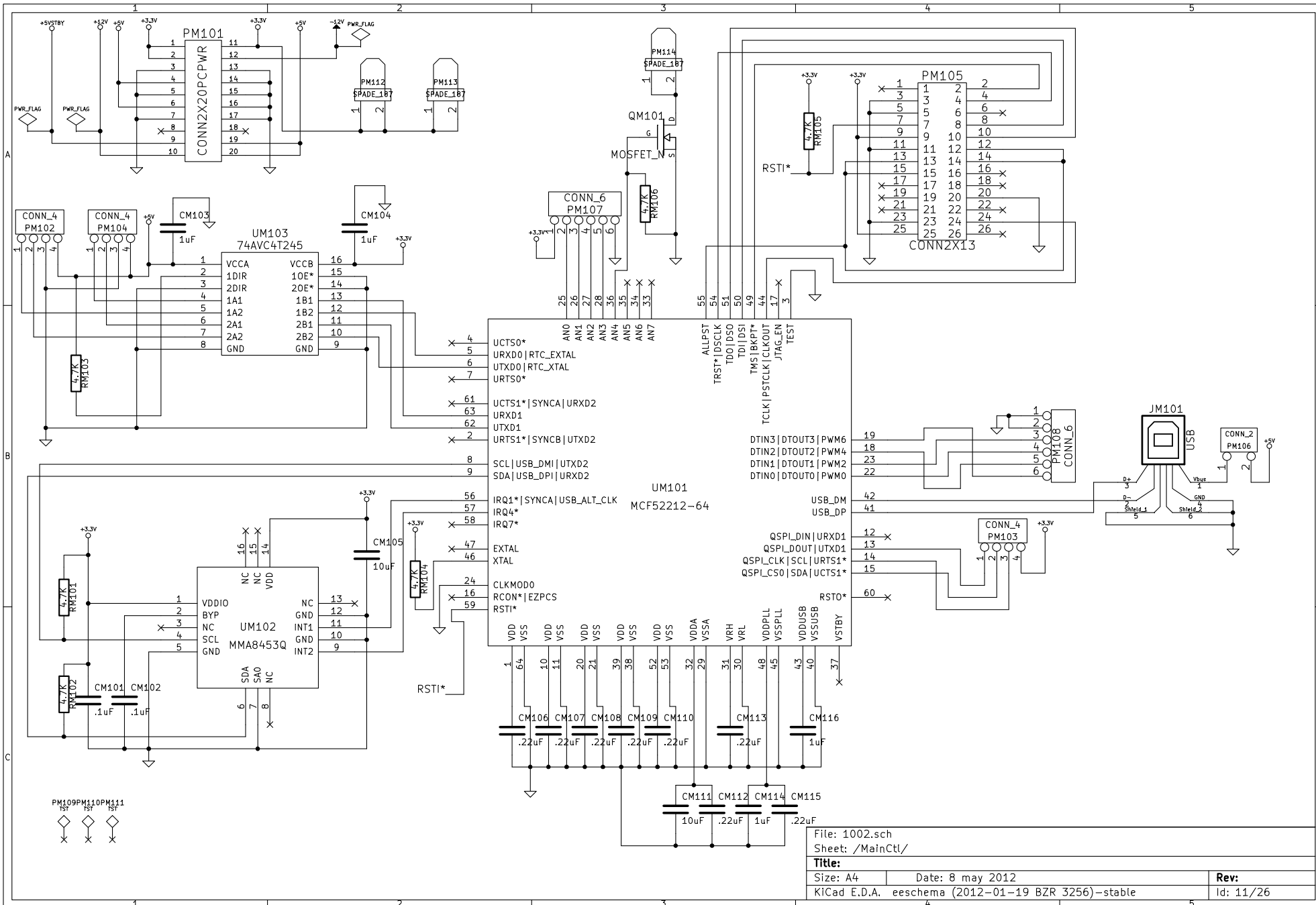
Hugh Spahr	
File: 1001.sch	
Sheet: /SolDrv4/	
Title: System	
Size: A4	Date: 8 may 2012
KiCad E.D.A. eeschema (2012-01-19 BZR 3256)-stable	Rev: A
	Id: 8/26



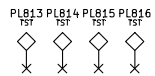
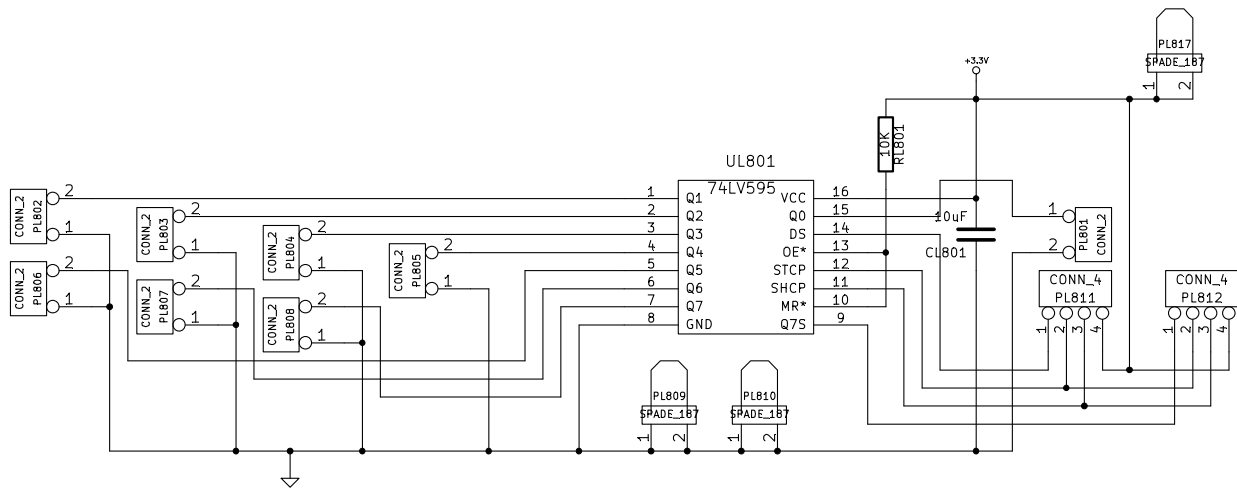
File: 1006.sch	
Sheet: /Rs232/	
Title:	
Size: A	Date: 8 may 2012
KiCad E.D.A. eeschema (2012-01-19 BZR 3256)-stable	Rev: 9/26



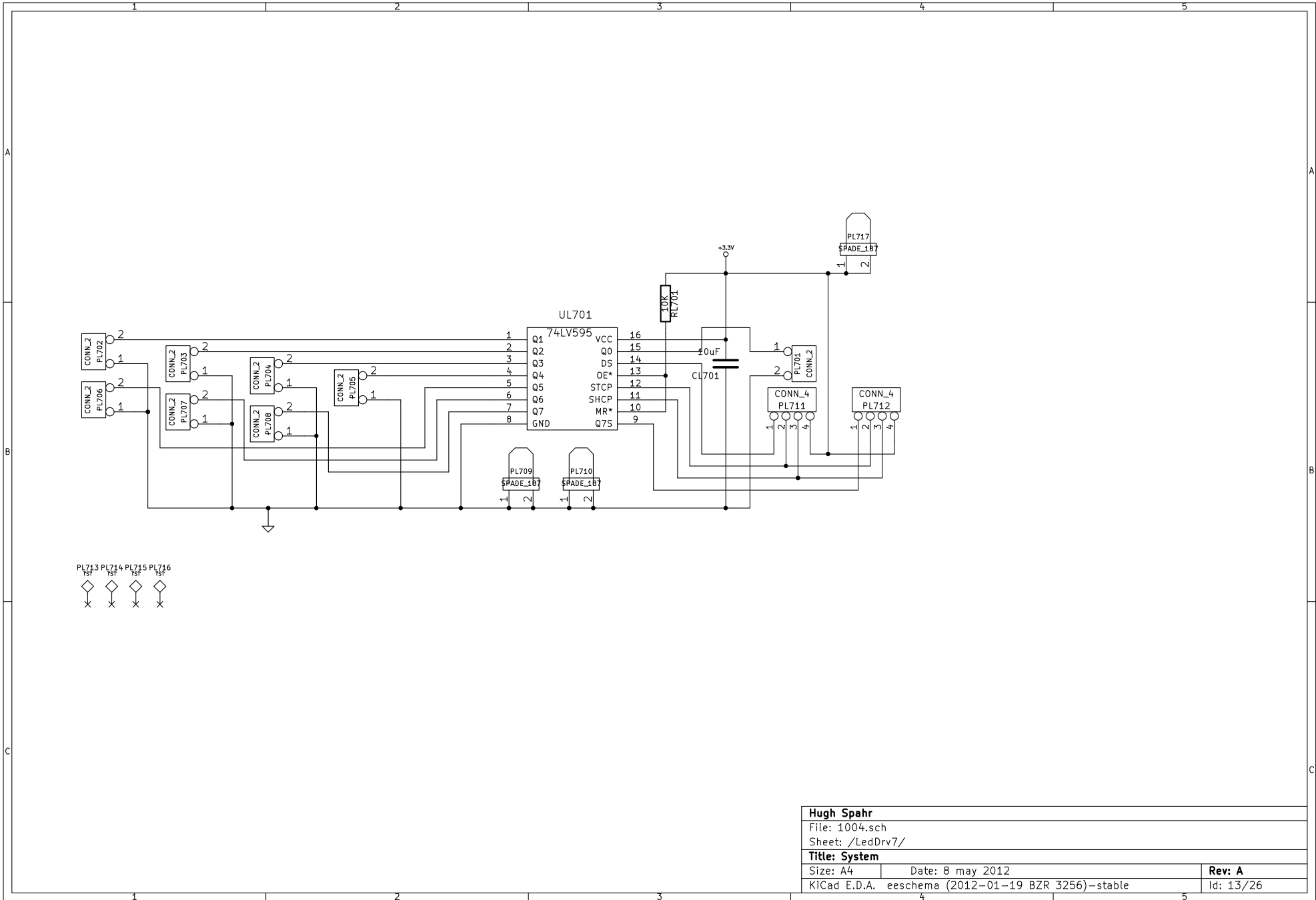
File: 1005.sch	
Sheet: /Power/	
Title:	
Size: A	Date: 8 may 2012
KiCad E.D.A. eschema (2012-01-19 BZR 3256)-stable	
Rev: Id: 10/26	

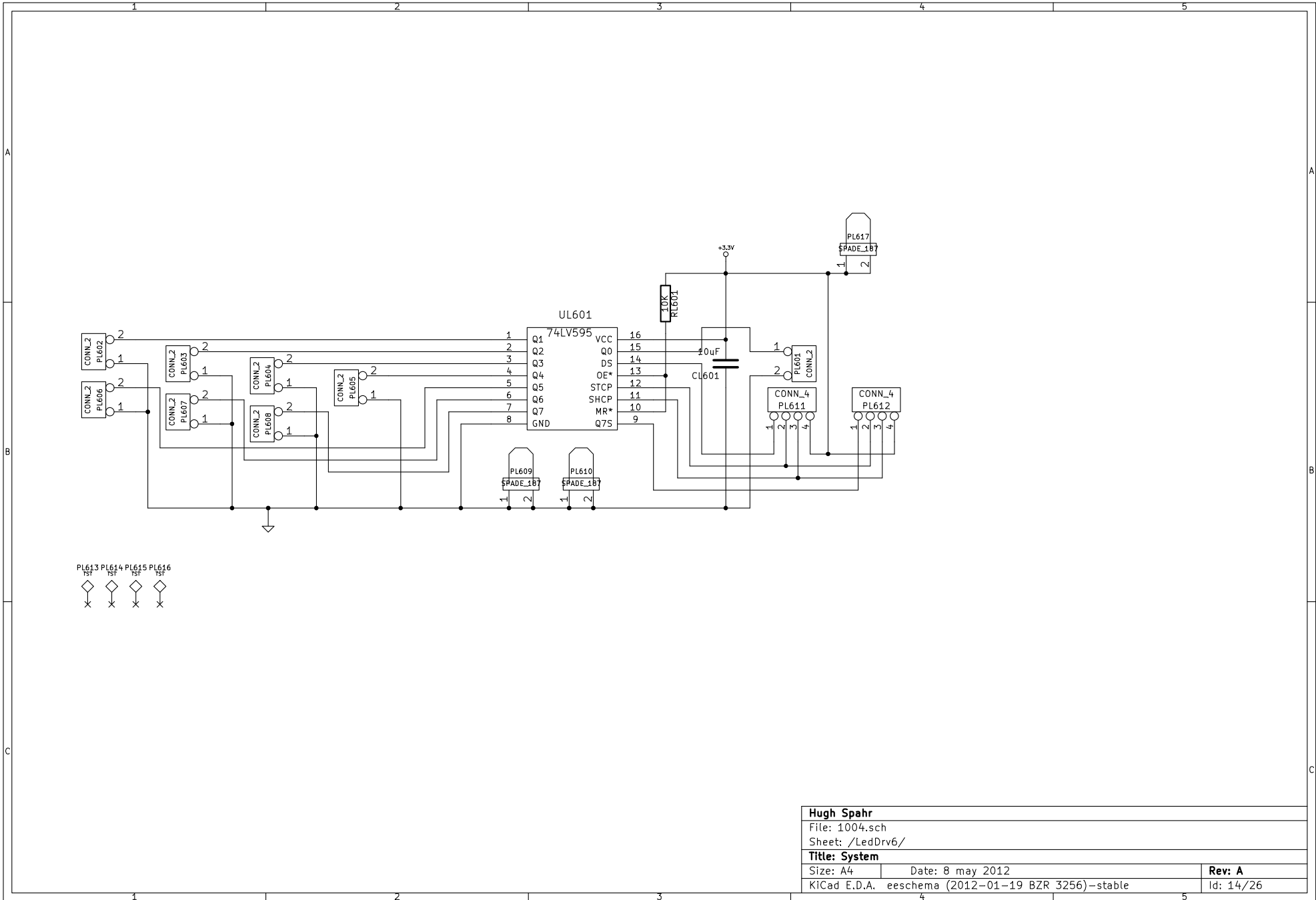


File: 1002.sch	
Sheet: /MainCt/	
Title:	
Size: A4	Date: 8 may 2012
KiCad E.D.A. eeschema (2012-01-19 BZR 3256)-stable	
Rev:	
Id: 11/26	

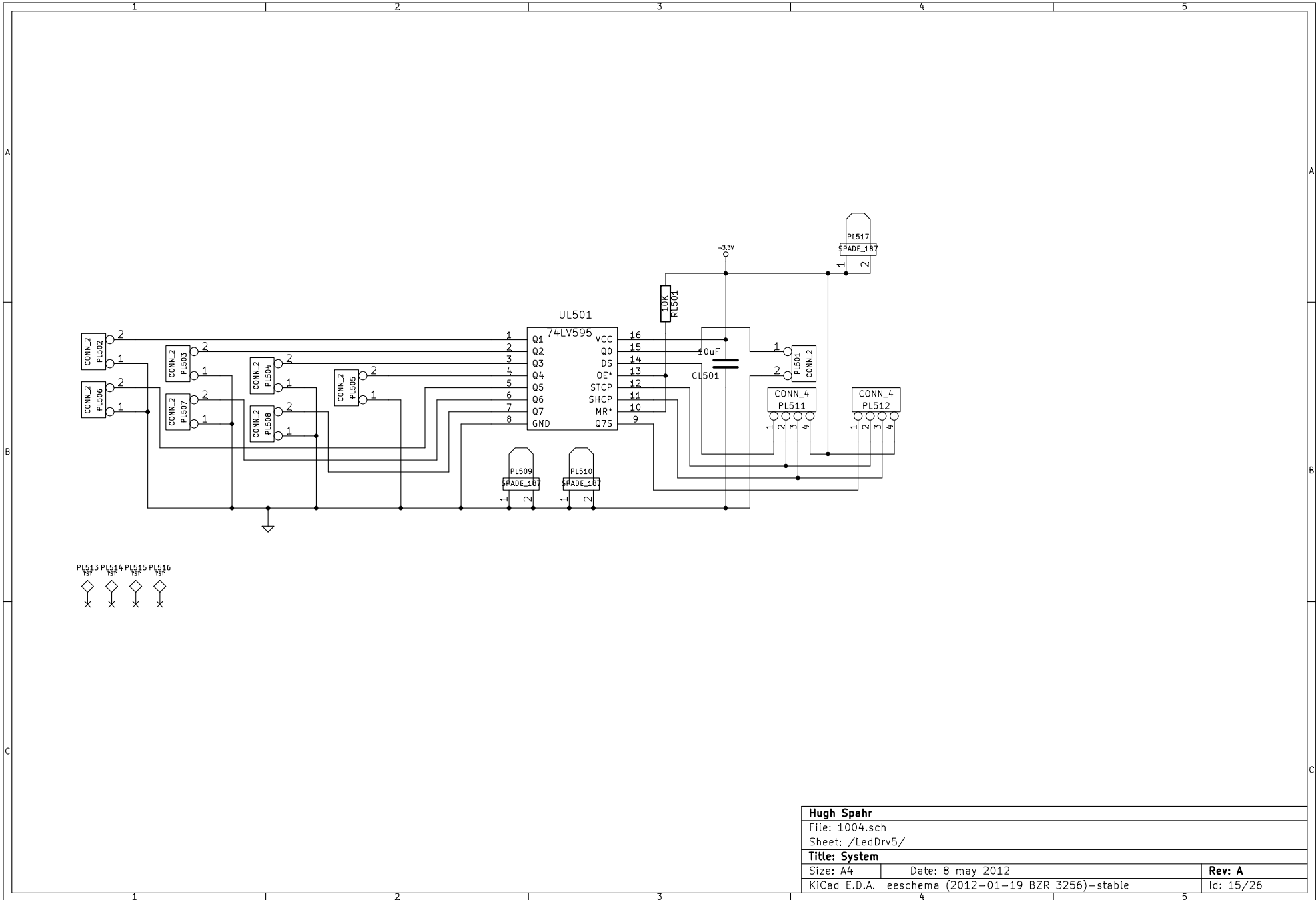


Hugh Spahr		
File: 1004.sch		
Sheet: /LedDrv8/		
Title: System		
Size: A4	Date: 8 may 2012	Rev: A
KiCad E.D.A. eeschema (2012-01-19 BZR 3256)-stable		Id: 12/26

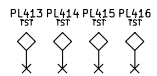
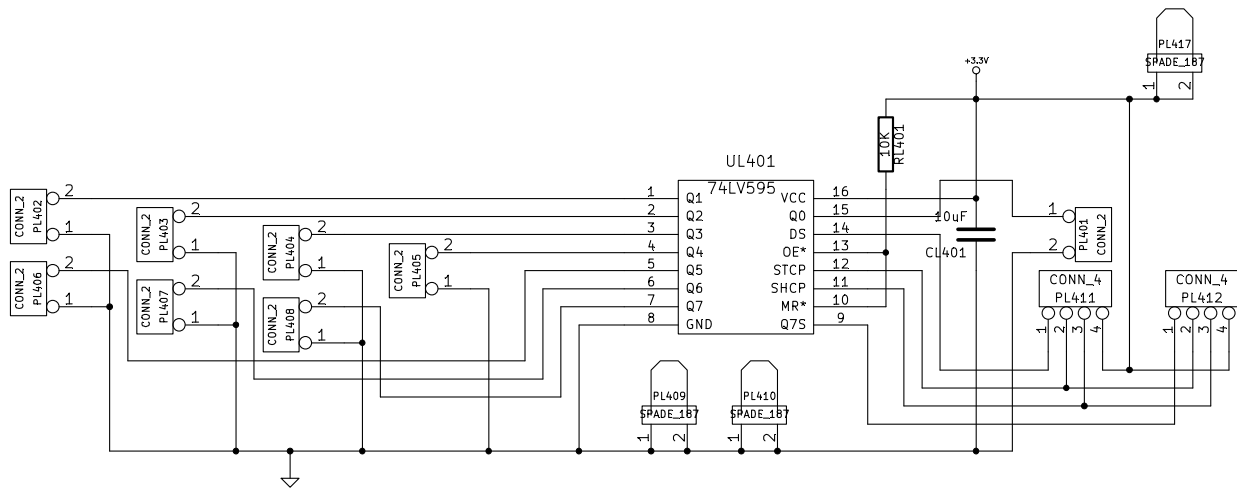




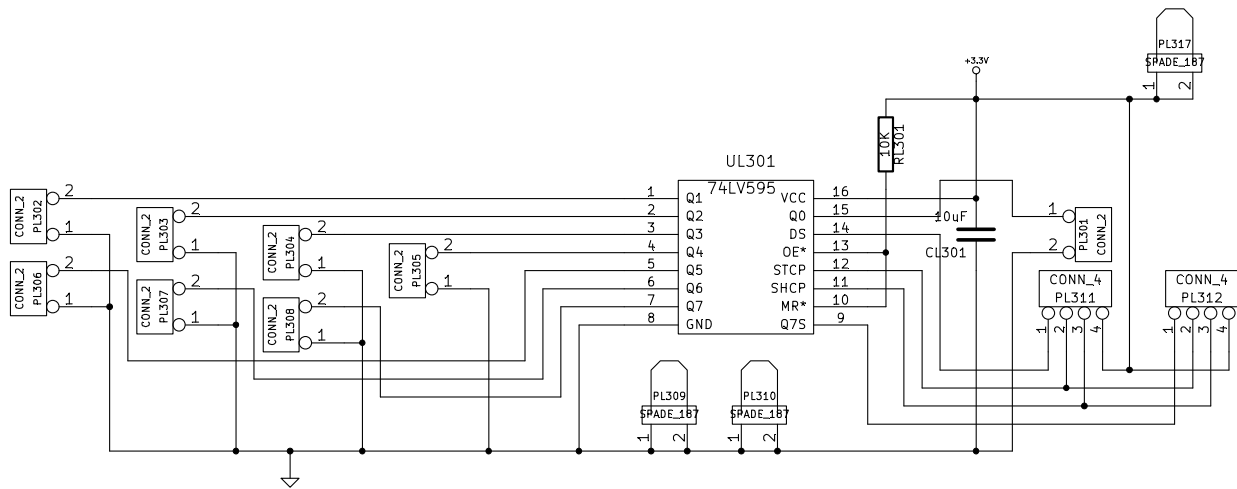
Hugh Spahr		
File: 1004.sch		
Sheet: /LedDrv6/		
Title: System		
Size: A4	Date: 8 may 2012	Rev: A
KiCad E.D.A. eeschema (2012-01-19 BZR 3256)-stable		Id: 14/26



Hugh Spahr		
File: 1004.sch		
Sheet: /LedDrv5/		
Title: System		
Size: A4	Date: 8 may 2012	Rev: A
KiCad E.D.A. eeschema (2012-01-19 BZR 3256)-stable		Id: 15/26

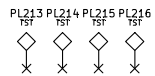
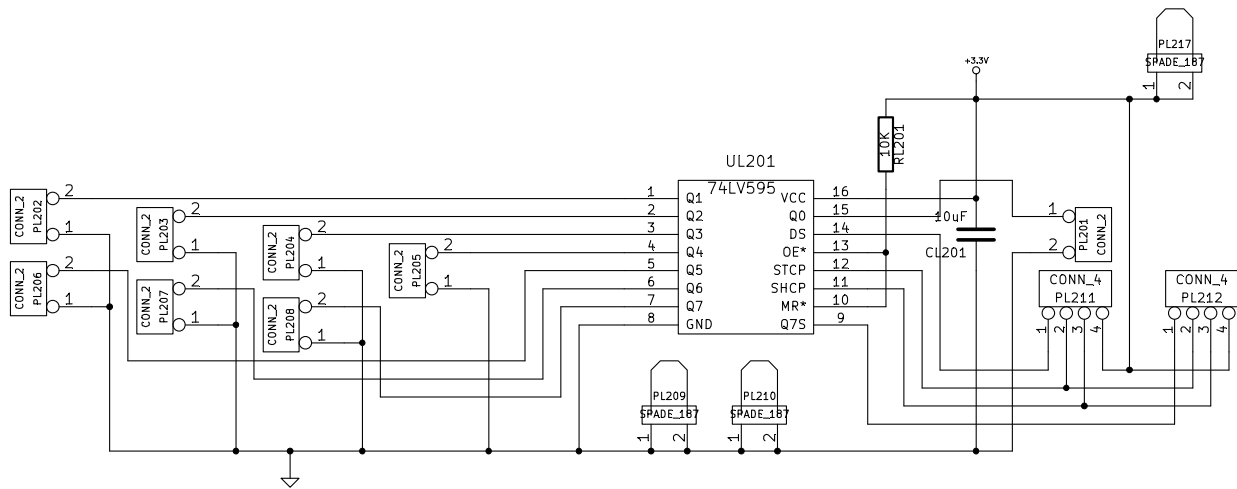


Hugh Spahr		
File: 1004.sch		
Sheet: /LedDrv4/		
Title: System		
Size: A4	Date: 8 may 2012	Rev: A
KiCad E.D.A. eeschema (2012-01-19 BZR 3256)-stable		Id: 16/26

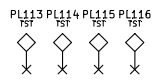
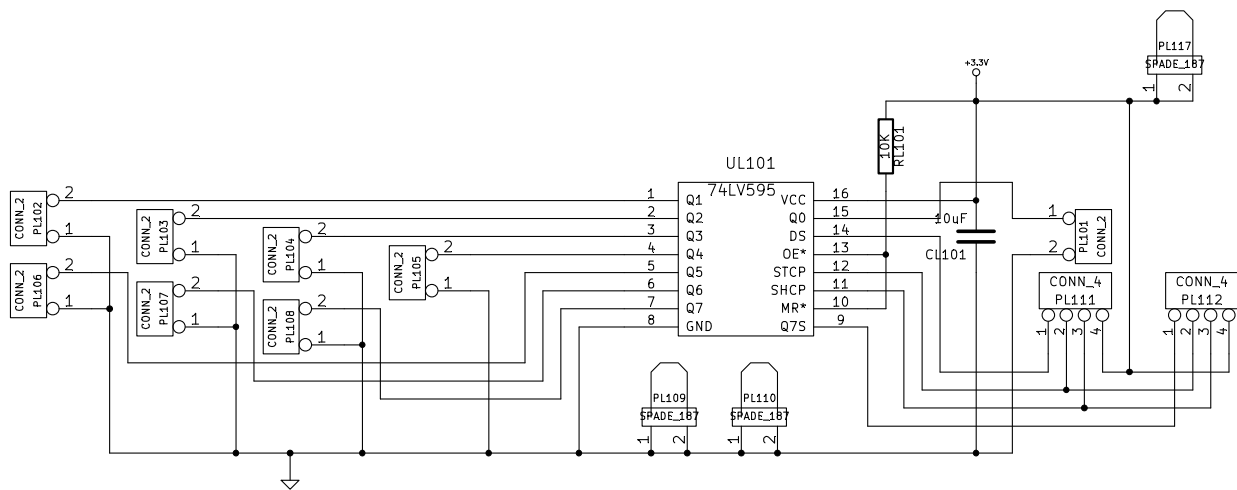


PL313 PL314 PL315 PL316
 TST TST TST TST
 X X X X

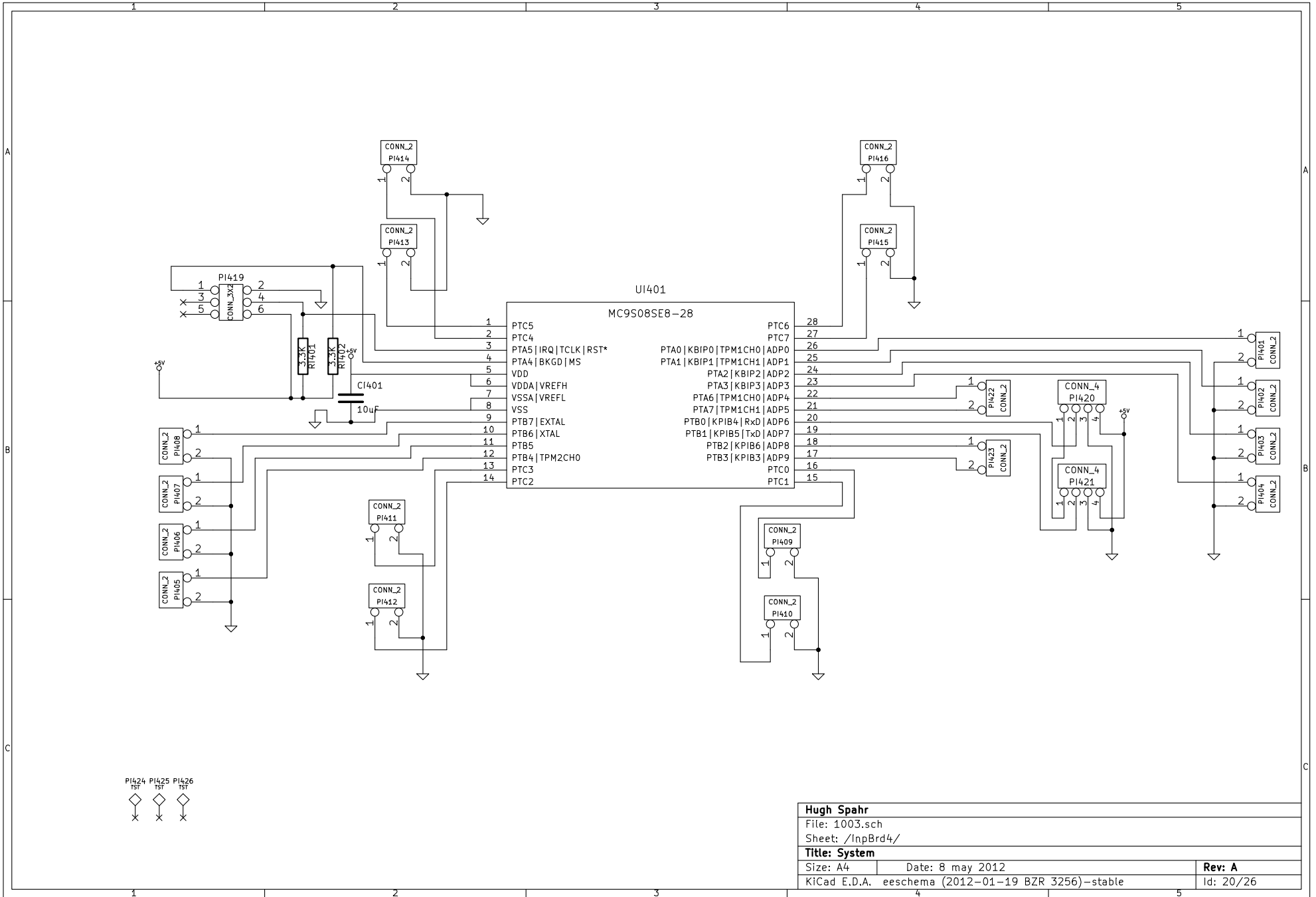
Hugh Spahr		
File: 1004.sch		
Sheet: /LedDrv3/		
Title: System		
Size: A4	Date: 8 may 2012	Rev: A
KiCad E.D.A. eeschema (2012-01-19 BZR 3256)-stable		Id: 17/26



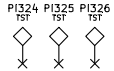
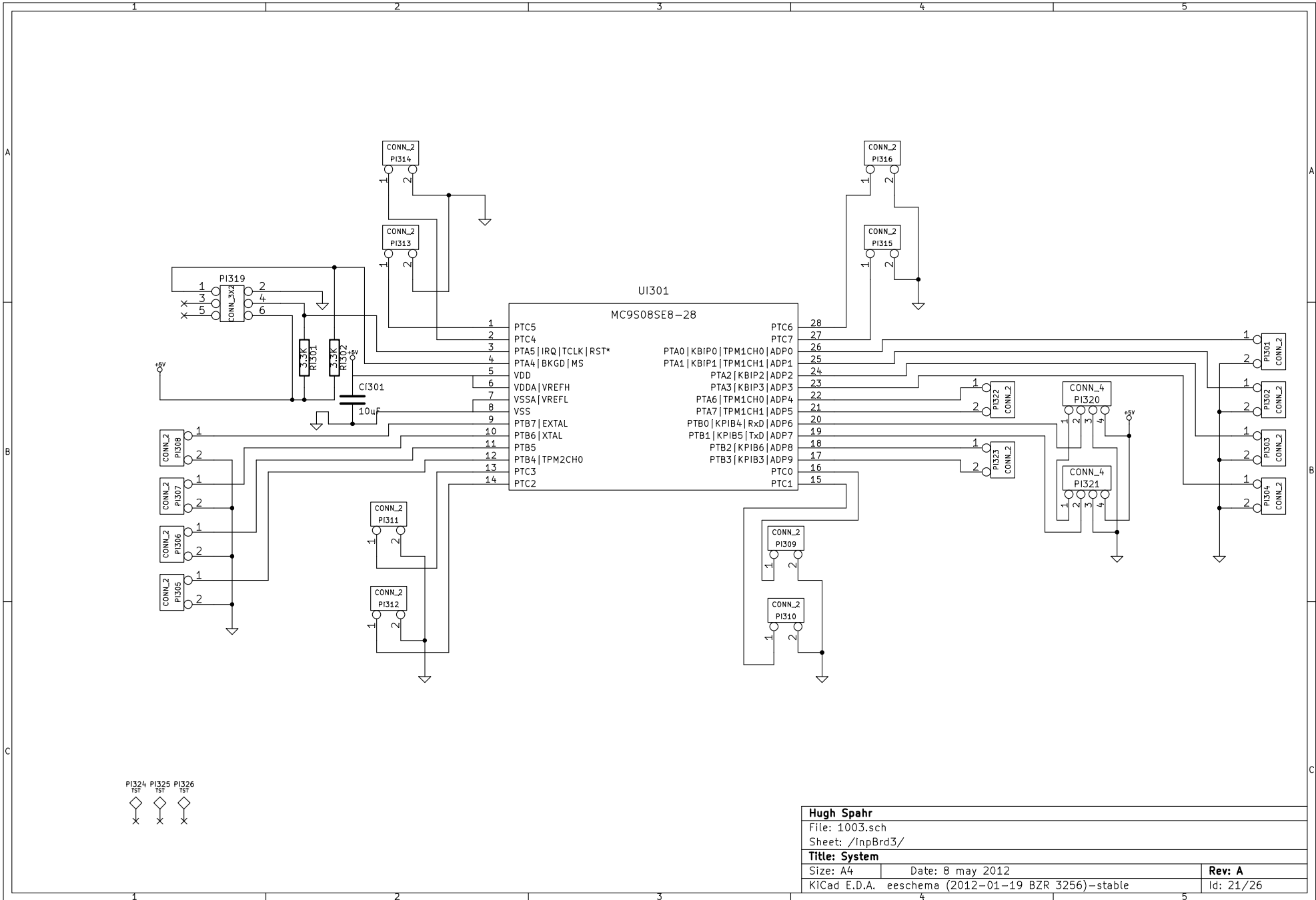
Hugh Spahr		
File: 1004.sch		
Sheet: /LedDrv2/		
Title: System		
Size: A4	Date: 8 may 2012	Rev: A
KiCad E.D.A. eeschema (2012-01-19 BZR 3256)-stable		Id: 18/26



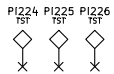
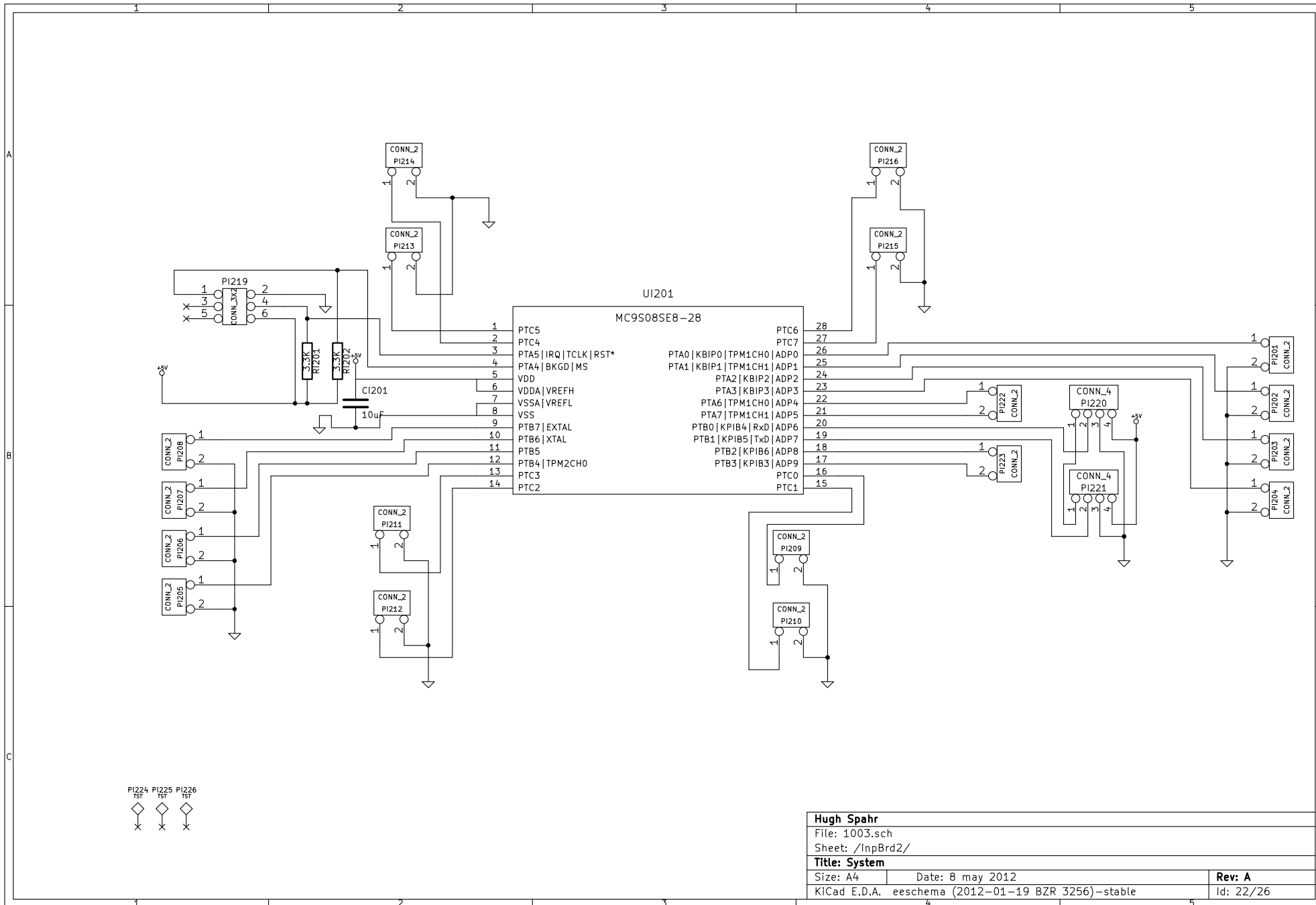
Hugh Spahr		
File: 1004.sch		
Sheet: /LedDrv1/		
Title: System		
Size: A4	Date: 8 may 2012	Rev: A
KiCad E.D.A. eeschema (2012-01-19 BZR 3256)-stable		Id: 19/26



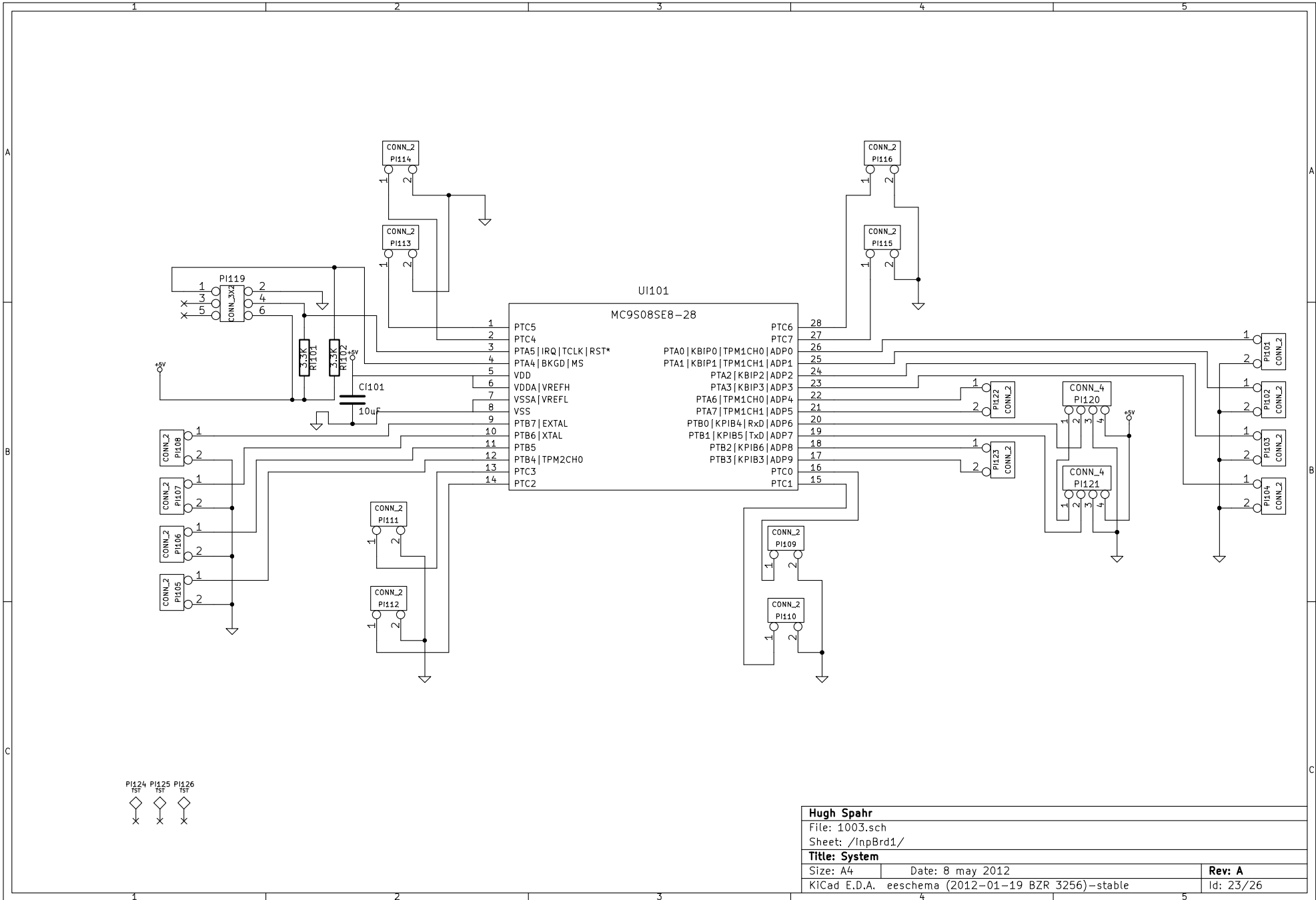
Hugh Spahr	
File: 1003.sch	
Sheet: /InpBrd4/	
Title: System	
Size: A4	Date: 8 may 2012
KiCad E.D.A. eeschema (2012-01-19 BZR 3256)-stable	Rev: A
	Id: 20/26



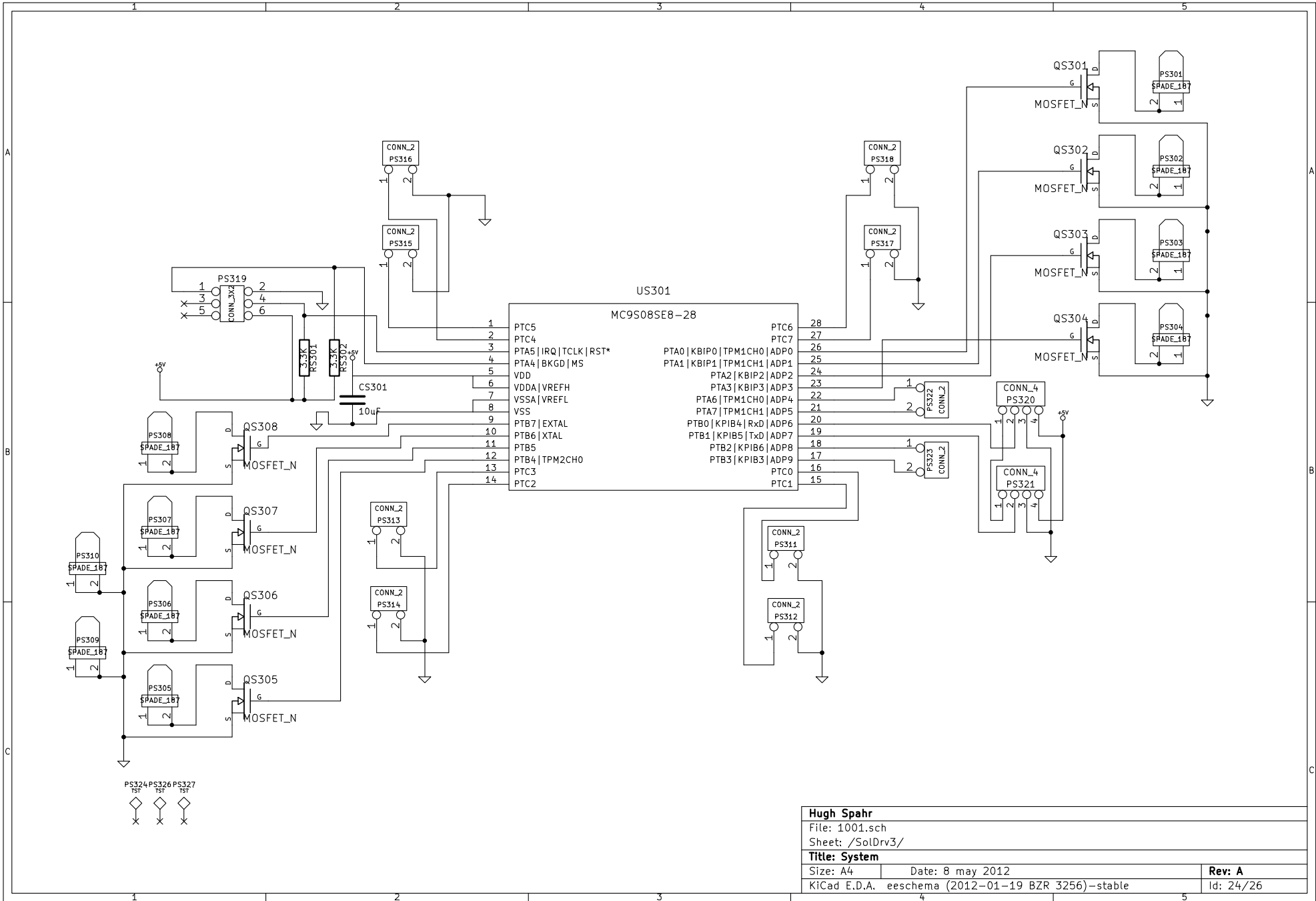
Hugh Spahr	
File: 1003.sch	
Sheet: /InpBrd3/	
Title: System	
Size: A4	Date: 8 may 2012
KiCad E.D.A. eeschema (2012-01-19 BZR 3256)-stable	Rev: A
	Id: 21/26



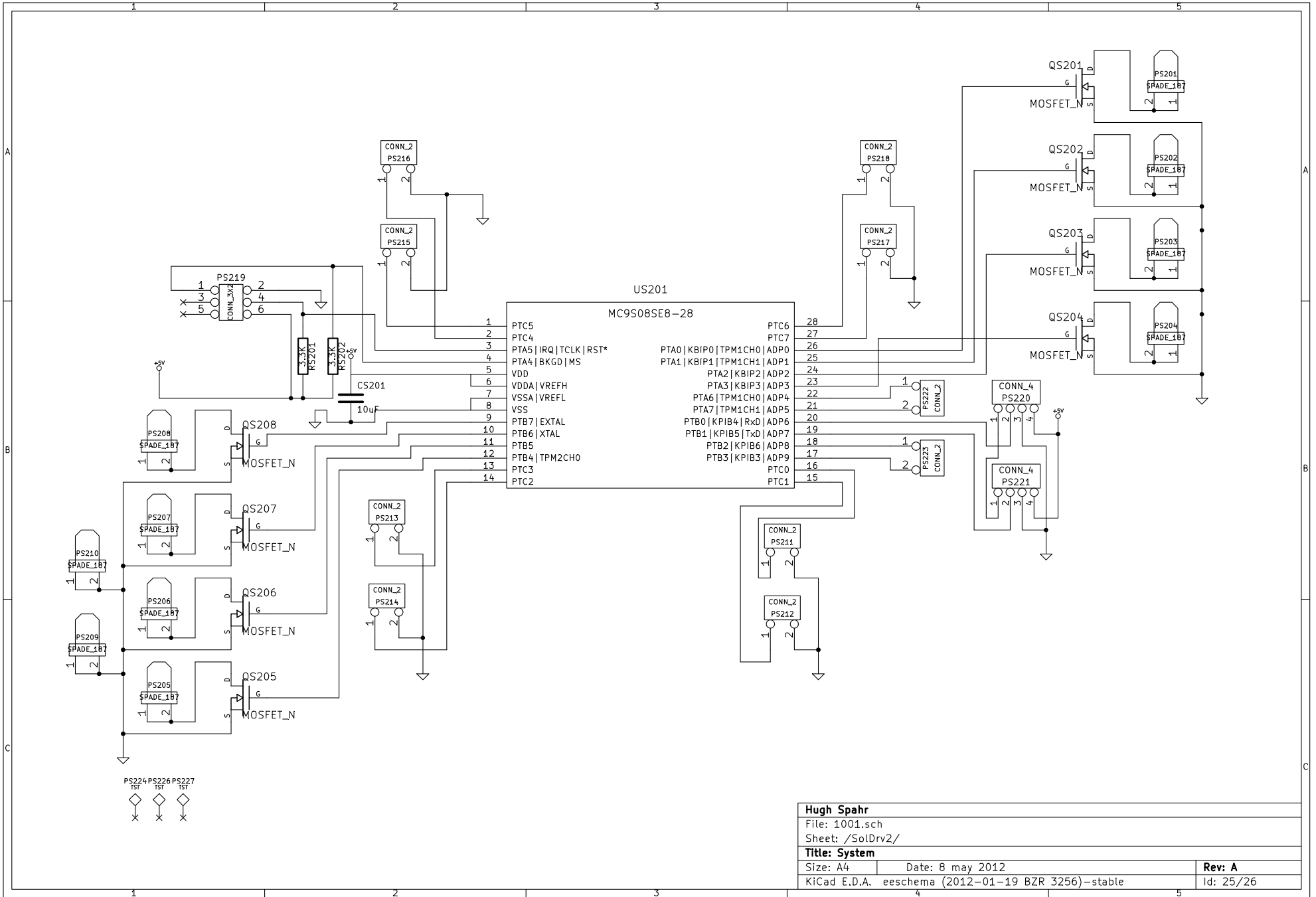
Hugh Spahr		
File: 1003.sch		
Sheet: /InpBrd2/		
Title: System		
Size: A4	Date: 8 may 2012	Rev: A
KiCad E.D.A. eeschema (2012-01-19 BZR 3256)-stable		Id: 22/26



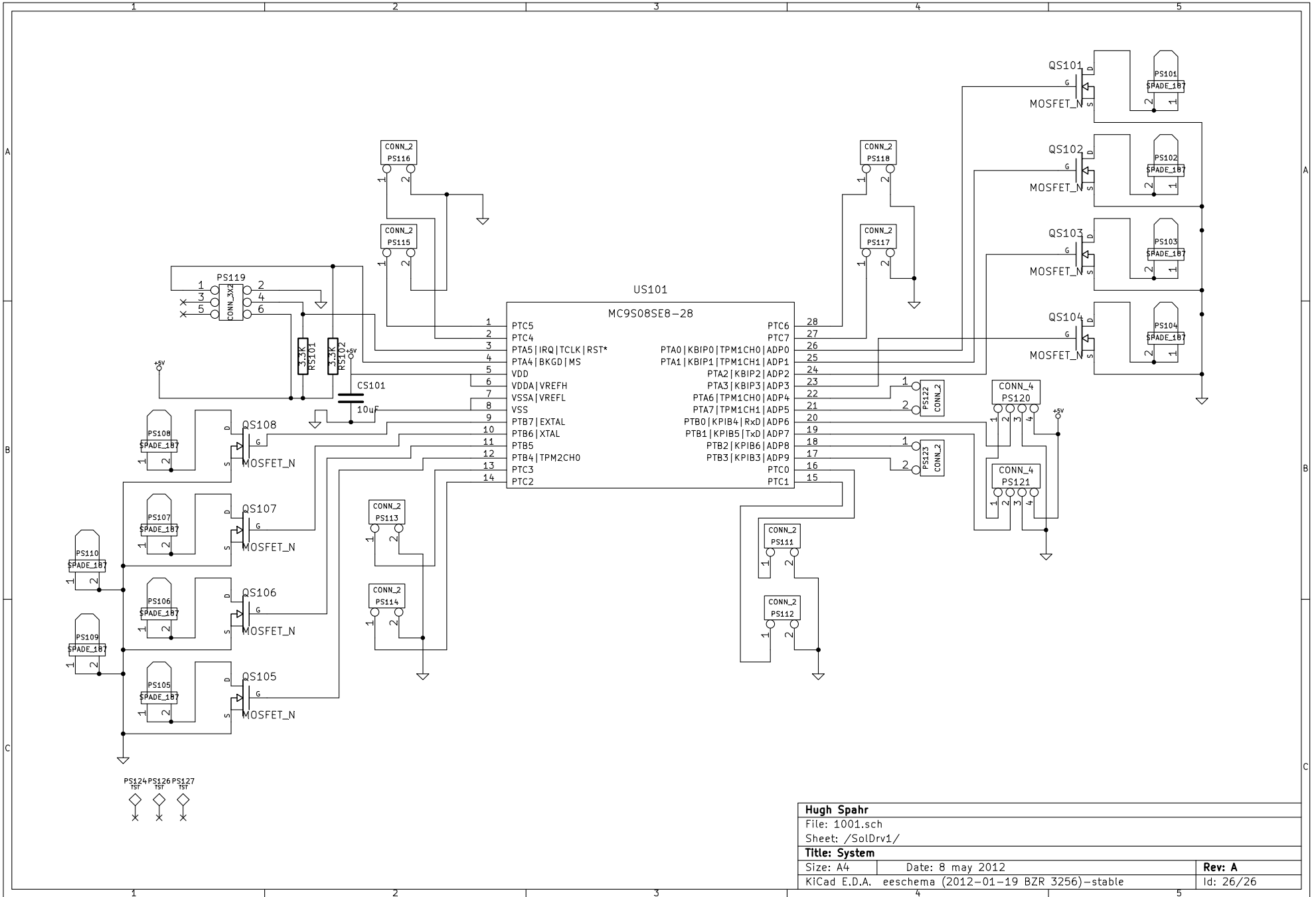
Hugh Spahr	
File: 1003.sch	
Sheet: /InpBrd1/	
Title: System	
Size: A4	Date: 8 may 2012
KiCad E.D.A. eeschema (2012-01-19 BZR 3256)-stable	Rev: A
	Id: 23/26



Hugh Spahr	
File: 1001.sch	
Sheet: /SolDrv3/	
Title: System	
Size: A4	Date: 8 may 2012
KiCad E.D.A. eeschema (2012-01-19 BZR 3256)-stable	Rev: A
	Id: 24/26



Hugh Spahr	
File: 1001.sch	
Sheet: /SolDrv2/	
Title: System	
Size: A4	Date: 8 may 2012
Rev: A	
KiCad E.D.A. eeschema (2012-01-19 BZR 3256)-stable	
Id: 25/26	



Hugh Spahr	
File: 1001.sch	
Sheet: /SolDrv1/	
Title: System	
Size: A4	Date: 8 may 2012
KiCad E.D.A. eeschema (2012-01-19 BZR 3256)-stable	Rev: A
	Id: 26/26